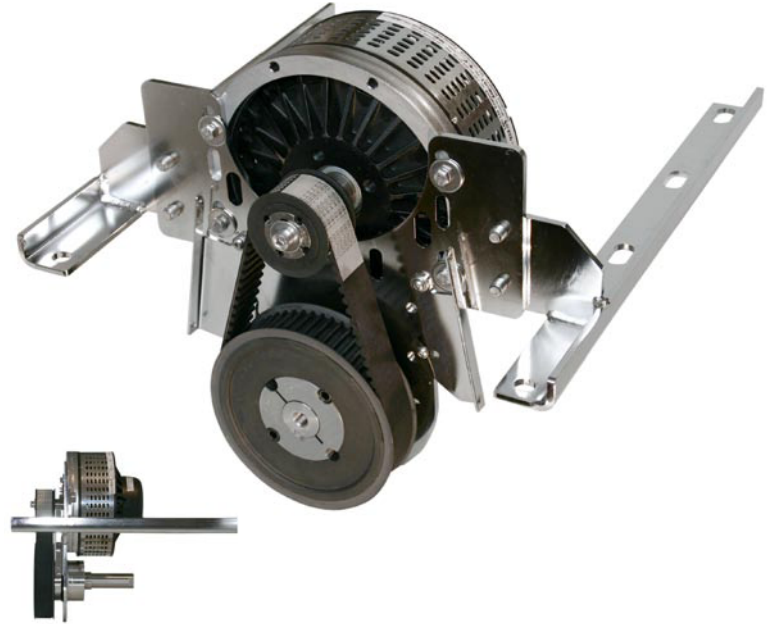
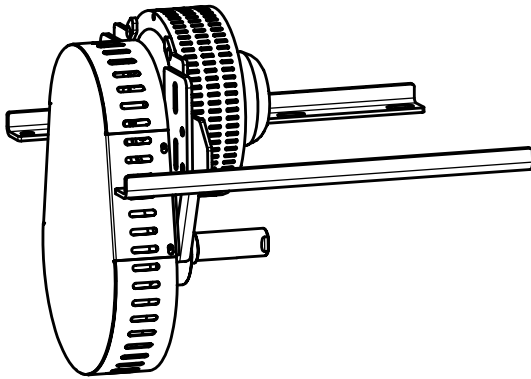


Motor Console | Measurements



Isometric view



Measurements

